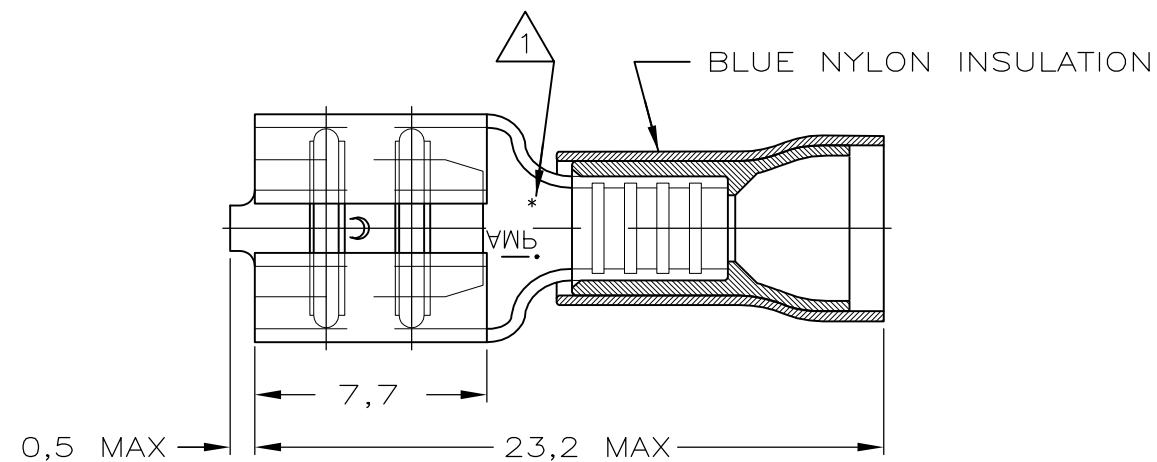


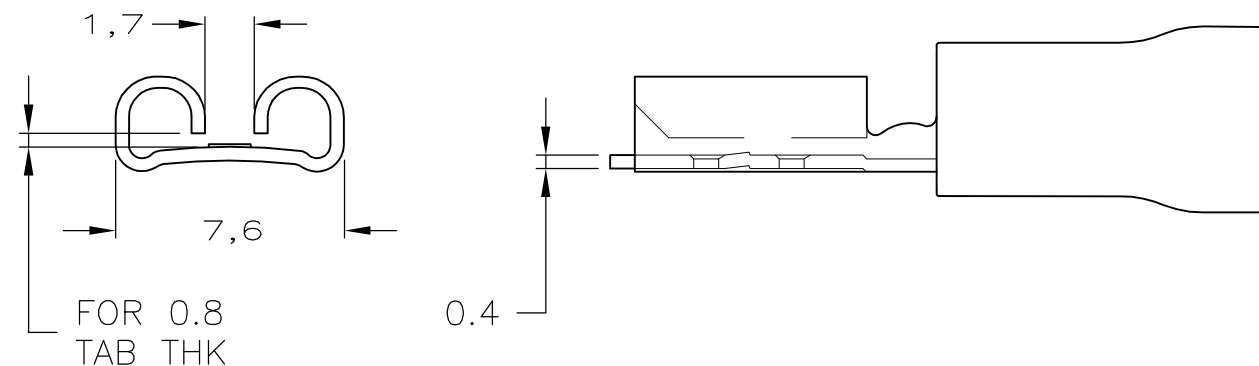
THIS DRAWING IS UNPUBLISHED. RELEASED FOR PUBLICATION  
 © COPYRIGHT BY TYCO ELECTRONICS CORPORATION. ALL RIGHTS RESERVED.

LOC	DIST	REVISIONS			
P	LTR	DESCRIPTION	DATE	DWN	APVD
G	86	H2	REV PER ECR 08-028310	10NOV08	JR TM



NOTES

- 1 ASTERISK \* FOR PH.BRONZE VERSIONS ONLY.
- 2 WIRE RANGE: 1,0-2,6mm<sup>2</sup>. INSUL. RANGE: 4,3mm MAX. DIA..
- 3 OBSOLETE WITHOUT REPLACEMENT



PACKAGE TYPE	FINISH	MATERIAL	PARTNUMBER
TAPE MOUNTED	1 GOLDPLATED	PH.BRONZE	<del>5-160313-7</del> 3
	1 SILVERPLATED	PH.BRONZE	<del>5-160313-6</del> 3
	1 TINPLATED	PH.BRONZE	5-160313-5
LOOSE PIECE	GOLDPLATED	BRASS	<del>5-160313-4</del> 3
	SILVERPLATED	BRASS	<del>5-160313-3</del> 3
	TINPLATED	BRASS	5-160313-2
	1 TIN-LEAD	PH.BRONZE	<del>9-160313-8</del> 3
	1 GOLDPLATED	PH.BRONZE	<del>9-160313-7</del> 3
	1 SILVERPLATED	PH.BRONZE	9-160313-6
	1 TINPLATED	PH.BRONZE	9-160313-5
	GOLDPLATED	BRASS	<del>9-160313-4</del> 3
	SILVERPLATED	BRASS	<del>9-160313-3</del> 3
	TINPLATED	BRASS	9-160313-2

THIS DRAWING IS A CONTROLLED DOCUMENT.		DWN JR RUTH 08OCT04	Tyco Electronics Corporation Harrisburg, Pa 17105-3608	
DIMENSIONS: mm		CHK T MICHIELUTTI 08OCT04		
TOLERANCES UNLESS OTHERWISE SPECIFIED:		APVD T MICHIELUTTI 08OCT04	NAME .250 SRS P.I.D.G. FASTON REC.	
0 PLC ± - 1 PLC ± - 2 PLC ± 0.38 3 PLC ± - 4 PLC ± - ANGLES ± -		PRODUCT SPEC -	SIZE CAGE CODE DRAWING NO RESTRICTED TO	
MATERIAL -		APPLICATION SPEC -	A3 00779 C=160313 -	
FINISH -		WEIGHT -	CUSTOMER DRAWING SCALE SHEET 1 OF 1 REV H2	